

**RE10 (A985)**

## PARTS CATALOG

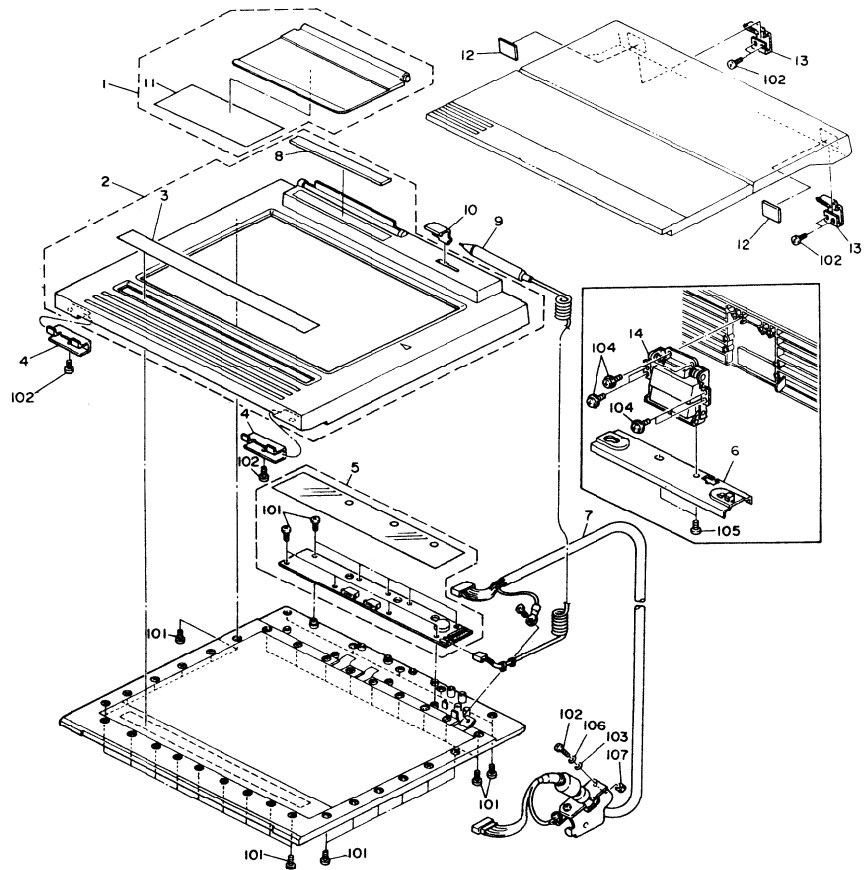
### INTRODUCTION

This chapter instructs you the numbers and names of these parts on this machine.

### INDEX to PARTS CATALOG

1. EDITOR BOARD (A985) .....	2
2. DECAL AND DOCUMENT (A985) .....	4
<b>Parts Index</b> .....	<b>6</b>

# 1. EDITOR BOARD (A985)



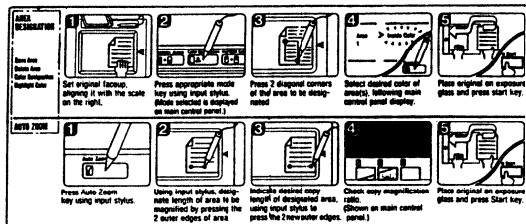
**1. EDITOR BOARD (A985)**

Index No.	Part No.	Description	Q'ty per Assembly
1	A985 1281	Original Holder	1
2	A985 1201	Upper Cover	1
3	A985 1451	Select Sheet - LT	1
3	A985 1452	Select Sheet - A4	1
4	A916 1051	Front Stopper	2
5	A946 5106	Main Control Board	1
6	A946 1821	Mounting Bracket - Platen Cocer	1
7	A985 5301	Editor Harness	1
8	A946 1831	Magnet	1
9	A916 5110	Pen	1
10	A985 1321	Original Holder	1
11	A946 1113	Decal - Operation Guide - LT	1
11	A946 1123	Decal - Operation Guide - A4	1
12	A916 1053	Support Stopper	2
13	A916 1052	Rear Stopper	2
14	A946 1801	Platen Cover Hinge Ass'y	1

Index No.	Part No.	Description	Q'ty per Assembly
101	0802 5136	Tapping Screw - M2.6x6	
102	0313 0080B	Philips Pan Head Screw - M3x8	
103	0700 0030B	Flat Washer - M3	
104	0965 4012W	Tapping Screw With Flat Washer-M4x1	
105	0315 0080W	Philips Pan Head Screw - M5x8	
106	0703 0030B	Lock Washer - M3	
107	0710 0030B	Hexagon Nut - M3	

## 2. DECAL AND DOCUMENT (A985)

1



**2. DECAL AND DOCUMENT (A985)**

Index No.	Part No.	Description	Q'ty per Assembly
1	A946 1113	Decal - Operation Guide - LT	1
1	A946 1123	Decal - Operation Guide - A4	1

Index No.	Part No.	Description	Q'ty per Assembly
-----------	----------	-------------	-------------------

# **PARTS INDEX**

Part No.	Description	Paper and Index No.
A985 1201	Upper Cover	3- 2
A985 1281	Original Holder	3- 1
A985 1321	Original Holder	3-10
A985 1451	Select Sheet - LT	3- 3
A985 1452	Select Sheet - A4	3- 3
A985 5301	Editor Harness	3- 7

Part No.	Description	Paper and Index No.
A916 1051	Front Stopper	3- 4
A916 1052	Rear Stopper	3-13
A916 1053	Support Stopper	3-12
A916 5110	Pen	3- 9
A946 1113	Decal - Operation Guide - LT	3-11
A946 1113	Decal - Operation Guide - LT	5- 1
A946 1123	Decal - Operation Guide - A4	3-11
A946 1123	Decal - Operation Guide - A4	5- 1
A946 1801	Platen Cover Hinge Ass'y	3-14
A946 1821	Mounting Bracket - Platen Cocer	3- 6
A946 1831	Magnet	3- 8
A946 5106	Main Control Board	3- 5
0313 0080B	Philips Pan Head Screw - M3x8	3-102
0315 0080W	Philips Pan Head Screw - M5x8	3-105
0700 0030B	Flat Washer - M3	3-103
0703 0030B	Lock Washer - M3	3-106
0710 0030B	Hexagon Nut - M3	3-107
0802 5136	Tapping Screw - M2.6x6	3-101
0965 4012W	Tapping Screw With Flat Washer-M4x1	3-104